

BTV113

SINGLE ARM FLAT SCREEN WALL MOUNT WITH TILT & SWIVEL

Designed to wall mount small sized screens, this single arm wall mount features a rotating interface with tilt and swivel, allowing quick and easy repositioning of screens as required - the mount can display the screen folded flat against the wall or up to its maximum extension of 240mm. Cable management is included to help make a neat and tidy mounting solution which is ideal for home installations as well as commercial applications.



SPECIFICATIONS

Recommended screen size	up to 28"
Max load	15kg
VESA® compatibility	75 x 75 & 100 x 100
Tilt	+/-15°
Swivel at wall	180°
Screen rotation	360°
Distance from wall	77 - 240mm

FEATURES

- 1 Screen mounting up to VESA 100 x 100mm
 - 2 Integrated cable management and spirit level included
 - 3 Features two swivel points: : 180° at wall and 240° at interface
 - 4 Interface allows screen rotation of 360°
- Easy tilt adjustment
 - Folds flat to the wall
 - Simple 'hook-on' installation with all mounting hardware included

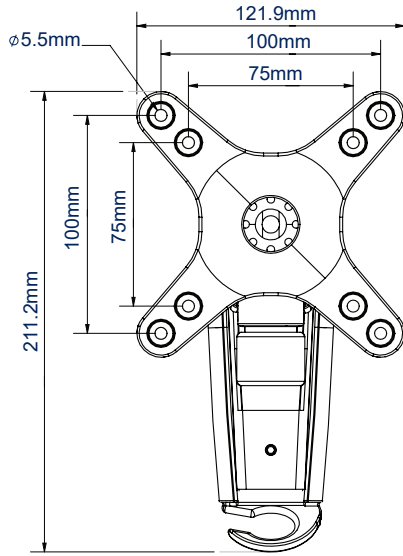


Ventry
range

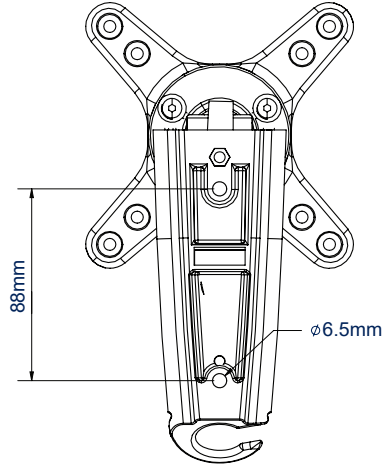
RECOMMENDED MAX SCREEN	MAX SCREEN WEIGHT	MAX VESA	TILT	SWIVEL	ROTATION	QR CODE
28" 71cm	15kg	100	15° 15°	180°	360°	



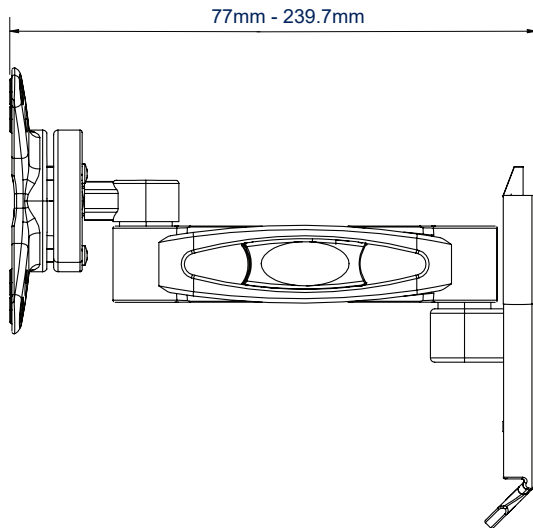
BTV113



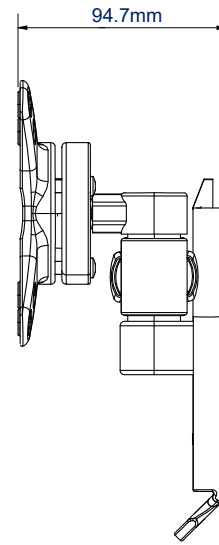
FRONT VIEW



REAR VIEW



SIDE VIEW WITH ARM EXTENDED



SIDE VIEW WITH ARM FOLDED

ORDERING INFORMATION

COLOUR	ORDER REF	EAN
Black	BTV113/B	50193184440588

RELATED PRODUCTS

PRODUCT CODE	NAME	DESCRIPTION
BTV920	AV Component Shelf	Adjustable shelf designed for all common AV equipment
BTV114	Double Arm Wall Mount with Tilt & Swivel	Designed for screens up to 23"
BTV503	Single Arm Wall Mount with Tilt & Swivel	Designed for screens up to 42"
BT7512	Single Arm Wall Mount with Tilt & Swivel	Designed for screens up to 23"

© 2016 B-Tech AV Mounts Corporation Ltd. All rights reserved.
The information in this specification sheet reflects the current technical specifications at the time of printing.
We reserve the right to change the technical or physical specifications without prior notice. These specifications are provided for informational purposes only and do not constitute a contract. B-Tech AV Mounts Corporation Ltd. is not responsible for any loss or damage caused by improper installation or mounting on unsuitable structures. Any reproduction or use without permission is prohibited. All trademarks are the property of their respective owners. B-Tech AV Mounts Corporation Ltd. is not responsible for any loss or damage caused by improper installation or mounting on unsuitable structures. Any reproduction or use without permission is prohibited. All trademarks are the property of their respective owners.

SS-V2-BTV113-040924