

# BTV113

## SINGLE ARM FLAT SCREEN WALL MOUNT WITH TILT & SWIVEL

Designed to wall mount small sized screens, this single arm wall mount features a rotating interface with tilt and swivel, allowing quick and easy repositioning of screens as required - the mount can display the screen folded flat against the wall or up to its maximum extension of 9.44". Cable management is included to help make a neat and tidy mounting solution which is ideal for home installations as well as commercial applications.



### SPECIFICATIONS

Recommended screen size	up to <b>28"</b>
Max load	<b>33lbs</b>
VESA® compatibility	<b>75 x 75 &amp; 100 x 100</b>
Tilt	<b>+/-15°</b>
Swivel at wall	<b>180°</b>
Screen rotation	<b>360°</b>
Distance from wall	<b>3.03" - 9.44"</b>

### FEATURES

- 1 Screen mounting up to VESA 100 x 100
  - 2 Integrated cable management and spirit level included
  - 3 Features two swivel points: : 180° at wall and 240° at interface
  - 4 Interface allows screen rotation of 360°
- Easy tilt adjustment
  - Folds flat to the wall
  - Simple 'hook-on' installation with all mounting hardware included

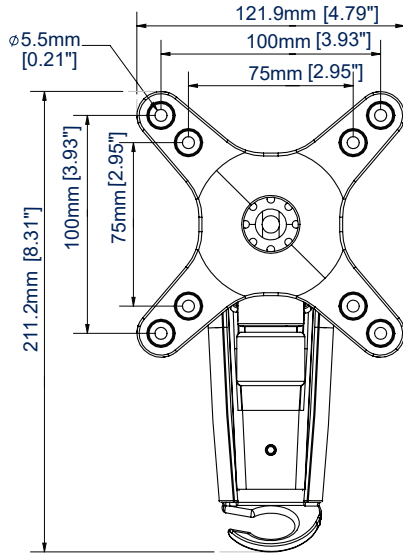


Ventry  
range

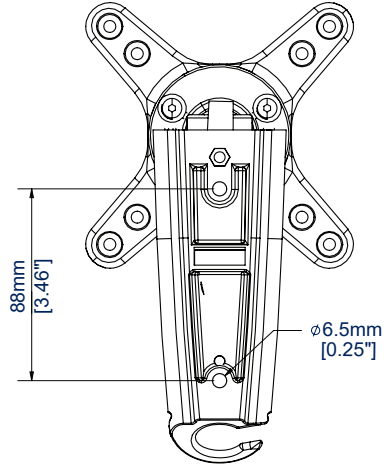
RECOMMENDED MAX SCREEN	MAX SCREEN WEIGHT	MAX VESA	TILT	SWIVEL	ROTATION	QR CODE
28" 71cm	33lbs	100	15° 15°	180°	360°	



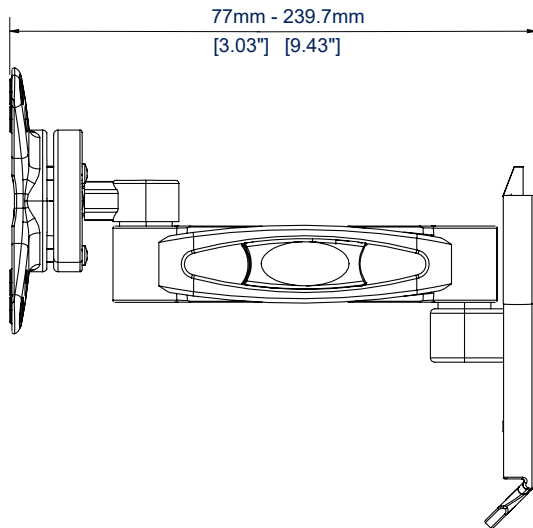
# BTV113



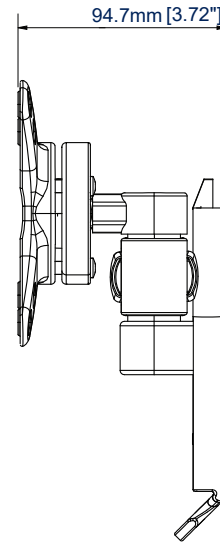
FRONT VIEW



REAR VIEW



SIDE VIEW WITH ARM EXTENDED



SIDE VIEW WITH ARM FOLDED

## ORDERING INFORMATION

COLOR	ORDER REF	UPC
Black	BTV113/B	811867035278

## RELATED PRODUCTS

PRODUCT CODE	NAME	DESCRIPTION
BTV920	AV Component Shelf	Adjustable shelf designed for all common AV equipment
BTV114	Double Arm Wall Mount with Tilt & Swivel	Designed for screens up to 23"
BTV503	Single Arm Wall Mount with Tilt & Swivel	Designed for screens up to 42"
BT7512	Single Arm Wall Mount with Tilt & Swivel	Designed for screens up to 23"

© 2014 B-Tech AV Mounts Corporation Ltd. All rights reserved.  
The information this specification sheet reflects the current technical specifications at the time of printing.  
We reserve the right to change the technical or physical specifications without prior notice. The B-Tech name and the B-Tech logo are registered trademarks of B-Tech AV Mounts Corporation Ltd.  
B-Tech is not responsible for loss or damage caused by improper installation or mounting on unstable structures. Any reproduction or use without permission or registration of any part of this specification sheet is strictly prohibited unless prior written permission is granted by B-Tech AV Mounts Corporation Ltd. B-Tech.

SS-V2-BTV113-12024-NA