



# BTV114

## DOUBLE ARM FLAT SCREEN WALL MOUNT WITH TILT & SWIVEL

**DOUBLE ARM FOR EXTENDED REACH**



Designed to wall mount small sized screens, this double arm wall mount features a tilting interface and three swivel points, allowing quick and easy repositioning of screens as required - whether folded flat against the wall at a depth of 77mm or at maximum extension. Cable management is included to help make a neat and tidy mounting solution which is ideal for home installations as well as commercial applications.

### SPECIFICATION

Recommended screen size	up to 28"
Max load	15kg
VESA® compatibility	75 x 75 & 100 x 100
Tilt	+/-15°
Swivel	180° (at wall)
Screen rotation	360°
Distance from wall	77 - 385mm

### FEATURES

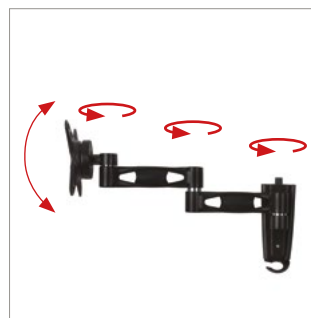
- Easy tilt and swivel adjustment
- Features three swivel points: 180° at wall, 360° at central pivot and 240° at interface
- Screen rotation allows screen to be positioned in a landscape or portrait orientation
- Folds flat to the wall
- Integrated spirit level for easy wall plate levelling during installation
- Integrated cable management
- Simple 'hook-on' installation with all mounting hardware included



Screen mounting up to VESA 100 x 100mm



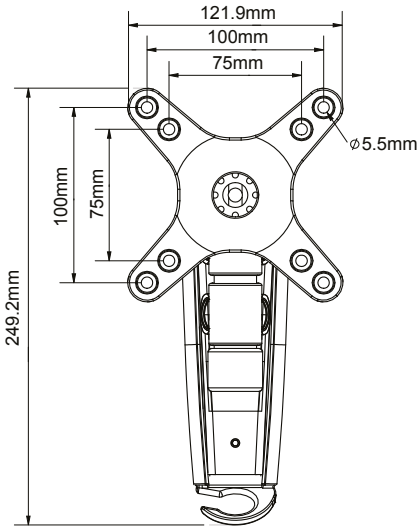
Integrated cable management and spirit level included



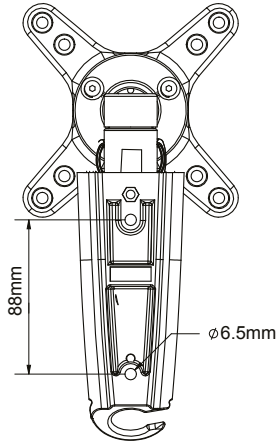
Features swivel and up / down tilt



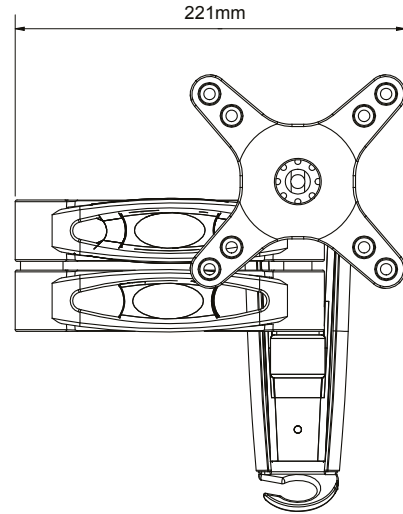
Interface allows screen rotation of 360°



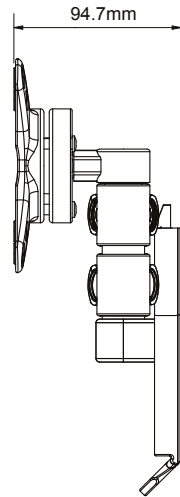
FRONT VIEW



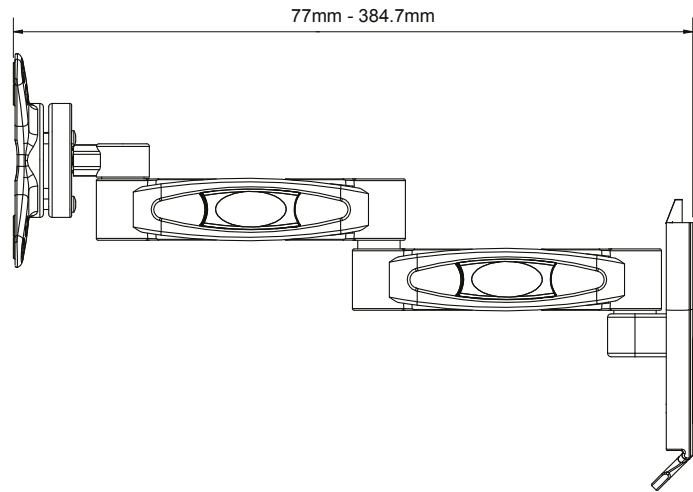
REAR VIEW



FRONT VIEW WITH ARM FOLDED FLAT



SIDE VIEW WITH ARM FOLDED



SIDE VIEW WITH ARM EXTENDED

PACKING INFORMATION

COLOUR:	ORDER REF:	EAN CODE:	MASTER CARTON QTY:	INNER CARTON QTY:	MASTER CARTON WEIGHT:	MASTER CARTON CUBE:
Black	BTV114/B	5019318440595	12	0	19.80kg	0.063 cbm

ACCESSORIES AND SIMILAR PRODUCTS TO THE BTV114

<p><b>BTV920</b></p>	<p><b>BTV113</b></p>	<p><b>BTV504</b></p>	<p><b>BT7513</b></p>
----------------------	----------------------	----------------------	----------------------

**AV Component Shelf** Adjustable shelf designed for all common AV equipment

**Single Arm Wall Mount with Tilt & Swivel** designed for screens up to 23"

**Double Arm Wall Mount with Tilt & Swivel** designed for screens up to 42"

**Double Arm Wall Mount with Tilt & Swivel** designed for screens up to 23"

© 2016 B-Tech International Pty. Ltd. All rights reserved. The information in this specification is current technical specifications at the time of print. We warrant the information to be true and correct to the best of our knowledge. This is not a warranty of performance or physical specifications without limitation. B-Tech International Pty. Ltd. is not responsible for any damage caused by improper or misuse of the product. Any reproduction or transmission or publication of any part of this specification is strictly prohibited unless prior written permission has been granted by B-Tech International Pty. Ltd.

SS-BTV114V3-060819