

BTXPS27-M5X5

UNIVERSAL 27" dvLED MOBILE STAND

Part of B-Tech's System Xpress range, BTXPS27-M5X5 is a 5x5 mobile solution suitable for **any** brand of 27" latching dvLED cabinet. Available off-the-shelf, BTXPS27-M5X5 provides a simple to install dvLED mounting solution that can be quoted and shipped at pace, straight from stock.

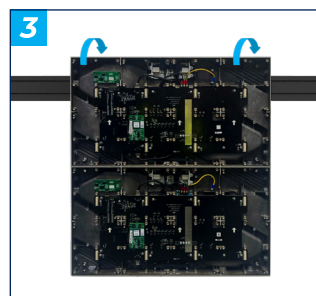
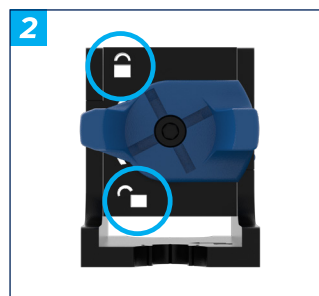
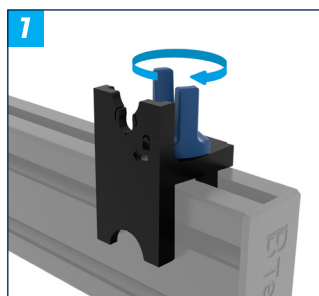
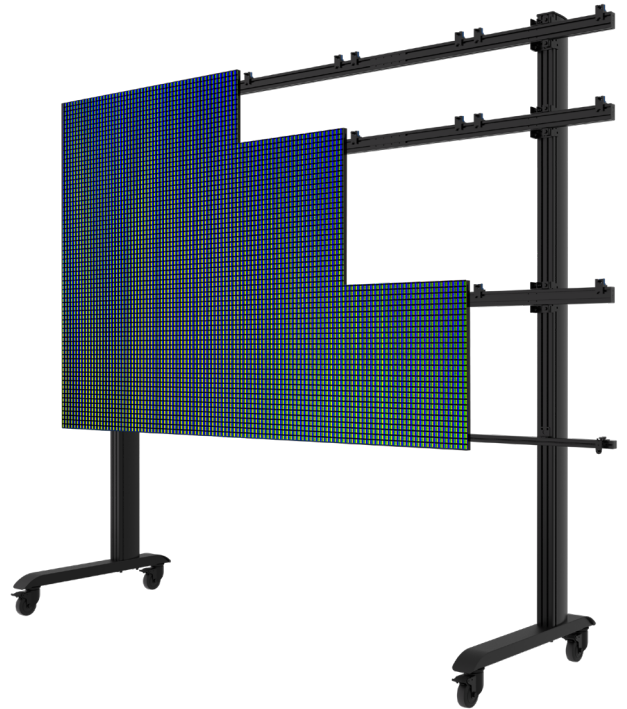
System Xpress revolutionises dvLED mounting with its innovative, universal design for latching cabinets. Featuring B-Tech's **Patent Pending** universal **XpressConnect** clips instead of cabinet-specific interfaces, this system can be supplied rapidly from stock and quoted like any other stocked solution. The XpressConnect clips effortlessly hook-on and lock into the supplied mounting rails with a quick quarter turn of the twist-lock, enabling fast assembly of wall, floor, or ceiling mounted dvLED installations, making System Xpress the fastest dvLED mounting solution to go from order to install.

SPECIFICATIONS

Compatible Panels	27" latching cabinets (Min. width 600 - Max. 610mm)
Panel fixing method	Rear mounted using M6, M8 or M10 fixings
Height adjustment	+/-5mm
Depth adjustment	+/-5mm on wall plate (Additional +10mm at cabinet)
Colour	Black
For indoor use only	

FEATURES

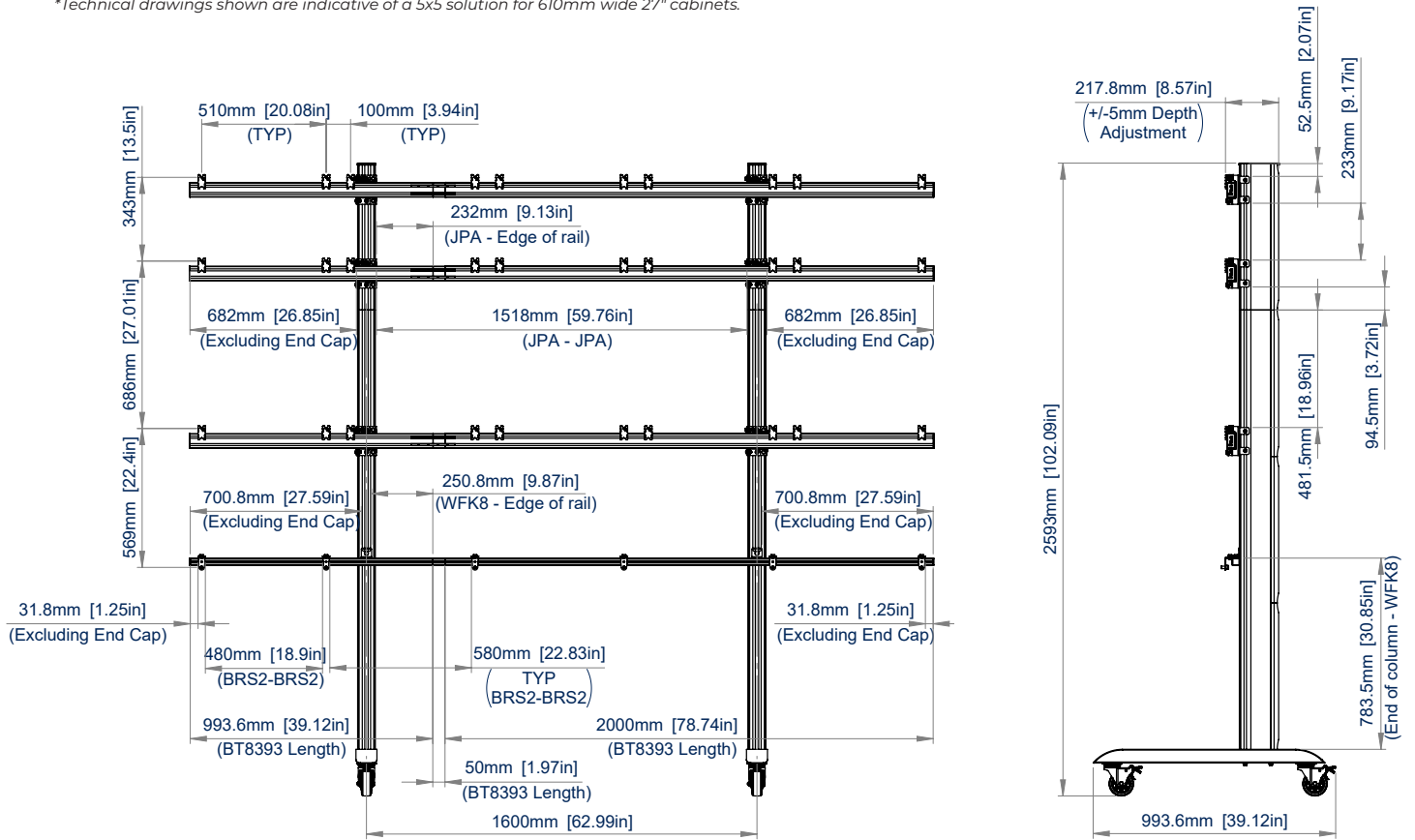
- 1 Patent Pending **XpressConnect** technology
- 2 Tool-less twist lock - cabinets 'hook-on' and lock in with a quarter turn
- 3 Hang cabinets in pairs to speed up the install
- 4 Includes non-marking 4" locking/braked castors for manoeuvrability
 - Stockable solution - universally compatible with any latching cabinet
 - Fast order fulfilment - available off-the-shelf for 5x5 27" cabinet installs
 - Fixed pricing - no waiting for a solution to be configured and quoted
 - Row height spacer (available separately) to speed up the install
 - Additional 4x4, 6x6, and 8x8 mounting kits are available off-the-shelf
 - Custom configured kits are also available for other configurations
 - Open frame allows panel access for easy servicing and maintenance
 - All mounting hardware included
 - Installation overview video available at www.btechavmounts.com/system-xpress-overview



*Main product image indicative of a 5x5 configuration using 27" cabinets

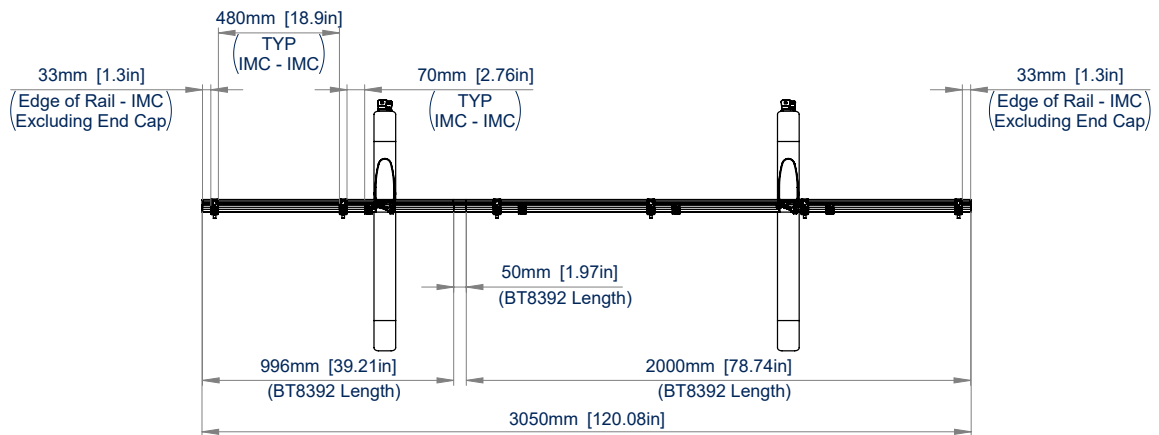
BTXPS27-M5X5

*Technical drawings shown are indicative of a 5x5 solution for 610mm wide 27" cabinets.



FRONT VIEW

SIDE VIEW



TOP VIEW

ORDERING INFORMATION

COLOUR	ORDER REF	EAN
Black	BTXPS27-M5X5/B	5019318309571

RELATED PRODUCTS

PRODUCT CODE	NAME	DESCRIPTION
BT9271	System Xpress Universal dvLED Mobile Stand	Designed to mount LED cabinets in any size and configuration
BTXPS27-M4X4	Universal 27" dvLED Mobile Stand	Designed to mount 27" LED cabinets in a 4x4 configuration
BTXPS27-M6X6	Universal 27" dvLED Mobile Stand	Designed to mount 27" LED cabinets in a 6x6 configuration
BTXPS27-M8X8	Universal 27" dvLED Mobile Stand	Designed to mount 27" LED cabinets in a 8x8 configuration

© 2025 B-Tech AV Mounts. All rights reserved. The information in this specification sheet reflects the current technical specifications at the time of printing. We reserve the right to change the technical or physical specifications without prior notice. This B-Tech name and the B-Tech logo are registered trademarks of B-Tech AV Mounts Corporation Ltd. B-Tech is a registered trademark of B-Tech AV Mounts Corporation Ltd. All other trademarks are the property of their respective owners. B-Tech AV Mounts Corporation Ltd. is not responsible for any damage or loss of data caused by improper installation or use of the product. Any reproduction or use of the information in this specification sheet is strictly prohibited unless prior written permission is granted by B-Tech AV Mounts Corporation Ltd. (BTL).

SS-BTXPS27-M5X5-200325