

BTXPS27-M6X6

UNIVERSAL 27" dvLED MOBILE STAND

Part of B-Tech's System Xpress range, BTXPS27-M6X6 is a 6x6 mobile solution suitable for any brand of 27" latching dvLED cabinet. Available off-the-shelf, BTXPS27-M6X6 provides a simple to install dvLED mounting solution that can be quoted and shipped at pace, straight from stock.

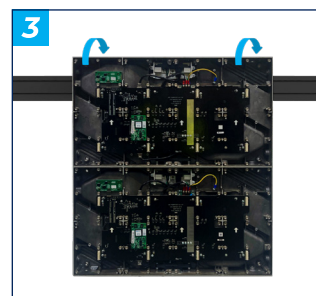
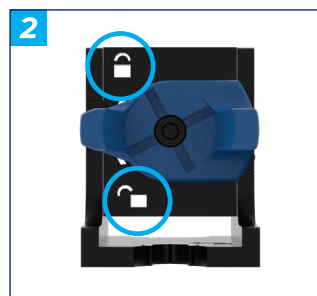
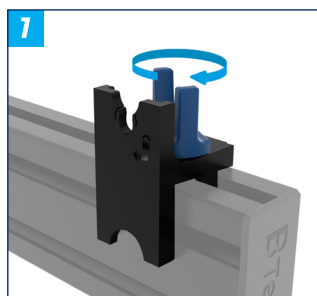
System Xpress revolutionizes dvLED mounting with its innovative, universal design for latching cabinets. Featuring B-Tech's Patent Pending universal XpressConnect clips instead of cabinet-specific interfaces, this system can be supplied rapidly from stock and quoted like any other stocked solution. The XpressConnect clips effortlessly hook-on and lock into the supplied mounting rails with a quick quarter turn of the twist-lock, enabling fast assembly of wall, floor, or ceiling mounted dvLED installations, making System Xpress the fastest dvLED mounting solution to go from order to install.

SPECIFICATIONS

Compatible Panels	27" latching cabinets (Min. width 23.62" -Max. 24")
Panel fixing method	Rear mounted using M6, M8 or M10 fixings
Height adjustment	+/-0.2"
Depth adjustment	+/-0.2" on wall plate (Additional +0.4" at cabinet)
Color	Black
For indoor use only	

FEATURES

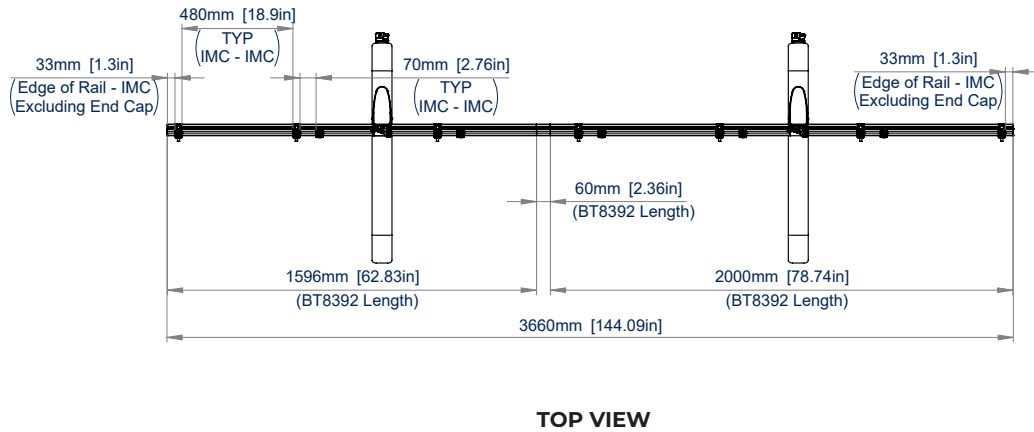
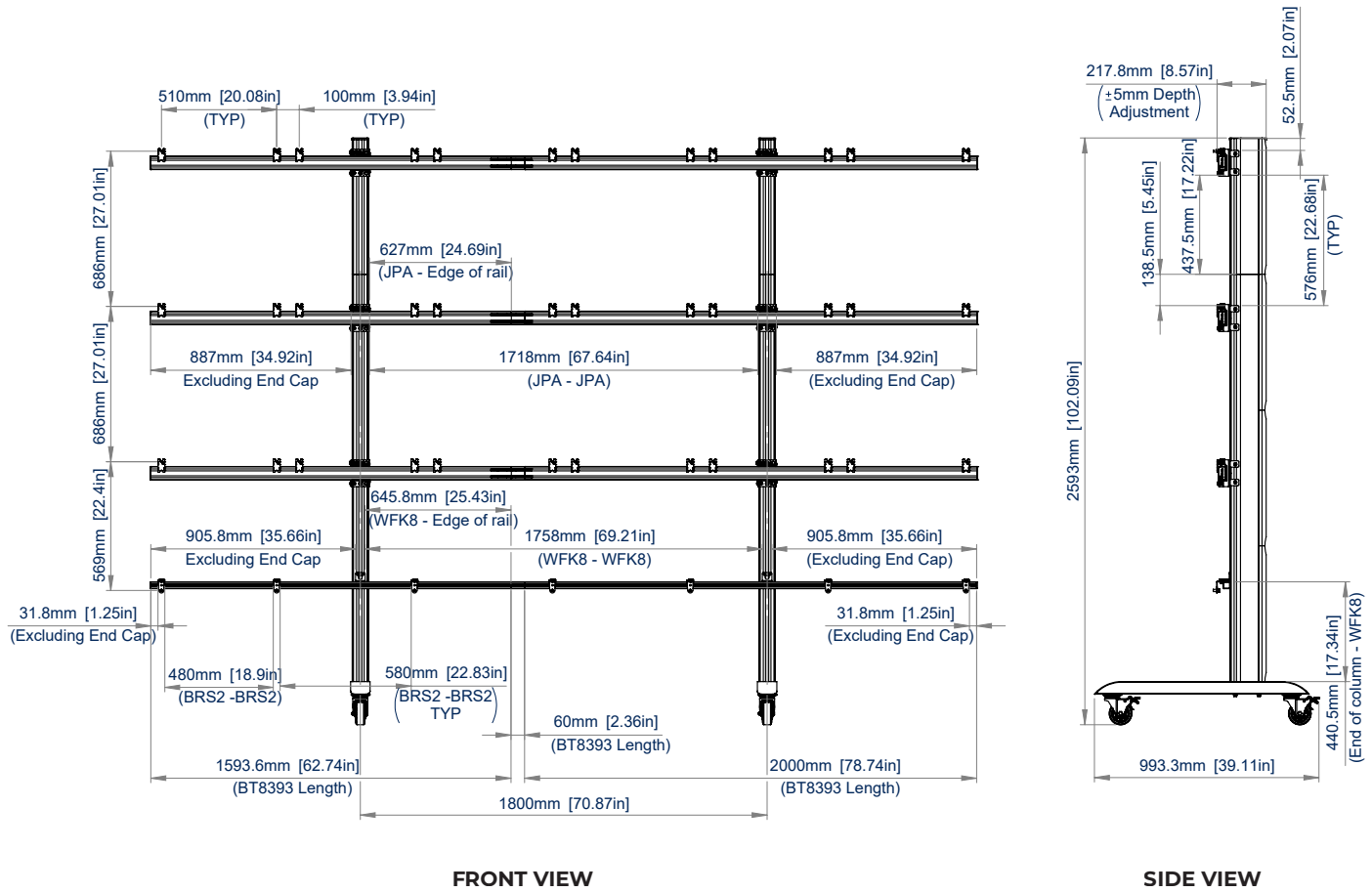
- 1 Patent Pending **XpressConnect** technology
- 2 Tool-less twist lock - cabinets 'hook-on' and lock in with a quarter turn
- 3 Hang cabinets in pairs to speed up the install
- 4 Includes non-marking 4" locking/braked casters for maneuverability
 - Stockable solution - universally compatible with any latching cabinet
 - Fast order fulfillment - available off-the-shelf for 6x6 27" cabinet installs
 - Fixed pricing - no waiting for a solution to be configured and quoted
 - Row height spacer (available separately) to speed up the install
 - Additional 4x4, 5x5, and 8x8 mounting kits are available off-the-shelf
 - Custom configured kits are also available for other configurations
 - Open frame allows panel access for easy servicing and maintenance
 - All mounting hardware included
 - Installation overview video available at www.btechavmounts.com/system-xpress-overview



*Main product image indicative of a 6x6 configuration using 27" cabinets

BTXPS27-M6X6

*Technical drawings shown are indicative of a 6x6 solution for 24" wide 27" cabinets.



ORDERING INFORMATION

COLOR	ORDER REF	BARCODE
Black	BTXPS27-M6X6/B	5019318309588

RELATED PRODUCTS

PRODUCT CODE	NAME	DESCRIPTION
BT9271	System Xpress Universal dvLED Mobile Stand	Designed to mount LED cabinets in any size and configuration
BTXPS27-M4X4	Universal 27" dvLED Mobile Stand	Designed to mount 27" LED cabinets in a 4x4 configuration
BTXPS27-M5X5	Universal 27" dvLED Mobile Stand	Designed to mount 27" LED cabinets in a 5x5 configuration
BTXPS27-M8X8	Universal 27" dvLED Mobile Stand	Designed to mount 27" LED cabinets in a 8x8 configuration

© 2022 B-Tech AV Mounts Corporation. All rights reserved. The information on this specification sheet reflects the current technical specifications as of the time of printing. We reserve the right to change the technical or physical specifications without prior notice. This B-Tech name and the B-Tech logo are registered trademarks of B-Tech AV Mounts Corporation Ltd. B-Tech is a registered trademark of B-Tech AV Mounts Corporation. All other trademarks are the property of their respective owners. Any reproduction or use of this specification sheet is strictly prohibited unless prior written permission is granted by B-Tech AV Mounts Corporation Ltd. (B-Tech).