

BTXPS27-S4X4

UNIVERSAL 27" dvLED STAND

Part of B-Tech's System Xpress range, BTXPS27-S4X4 is a 4x4 freestanding solution suitable for **any** brand of 27" latching dvLED cabinet. Available off-the-shelf, BTXPS27-S4X4 provides a simple to install dvLED mounting solution that can be quoted and shipped at pace, straight from stock.

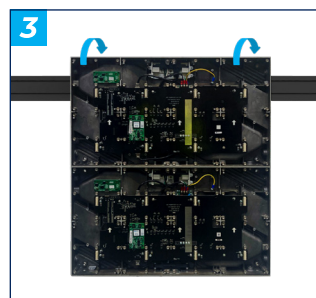
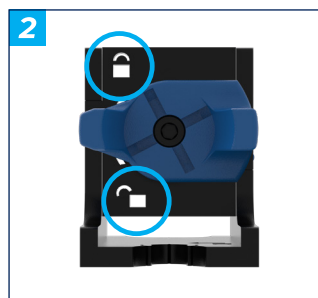
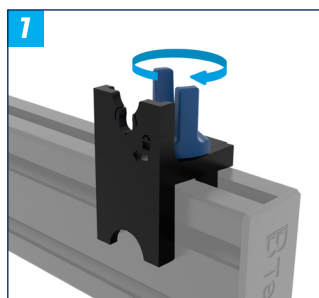
System Xpress revolutionizes dvLED mounting with its innovative, universal design for latching cabinets. Featuring B-Tech's **Patent Pending** universal **XpressConnect** clips instead of cabinet-specific interfaces, this system can be supplied rapidly from stock and quoted like any other stocked solution. The XpressConnect clips effortlessly hook-on and lock into the supplied mounting rails with a quick quarter turn of the twist-lock, enabling fast assembly of wall, floor, or ceiling mounted dvLED installations, making System Xpress the fastest dvLED mounting solution to go from order to install.

SPECIFICATIONS

Compatible Panels	27" latching cabinets (Min. width 23.62" - Max. 24")
Panel fixing method	Rear mounted using M6, M8 or M10 fixings
Height adjustment	+/-0.2"
Depth adjustment	+/-0.2" on wall plate (Additional +0.4" at cabinet)
Color	Black
For indoor use only	

FEATURES

- 1 Patent Pending **XpressConnect** technology
 - 2 Tool-less twist lock - cabinets 'hook-on' and lock in with a quarter turn
 - 3 Hang cabinets in pairs to speed up the install
 - 4 Floor base utilizes adjustable leveling feet, ideal for uneven surfaces
- Stockable solution - universally compatible with any latching cabinet
 - Fast order fulfillment - available off-the-shelf for 4x4 27" cabinet installs
 - Fixed pricing - no waiting for a solution to be configured and quoted
 - Row height spacer (available separately) to speed up the install
 - Additional 5x5, 6x6, and 8x8 mounting kits are available off-the-shelf
 - Custom configured kits are also available for other configurations
 - Open frame allows panel access for easy servicing and maintenance
 - All mounting hardware included
 - Installation overview video available at www.btechavmounts.com/system-xpress-overview

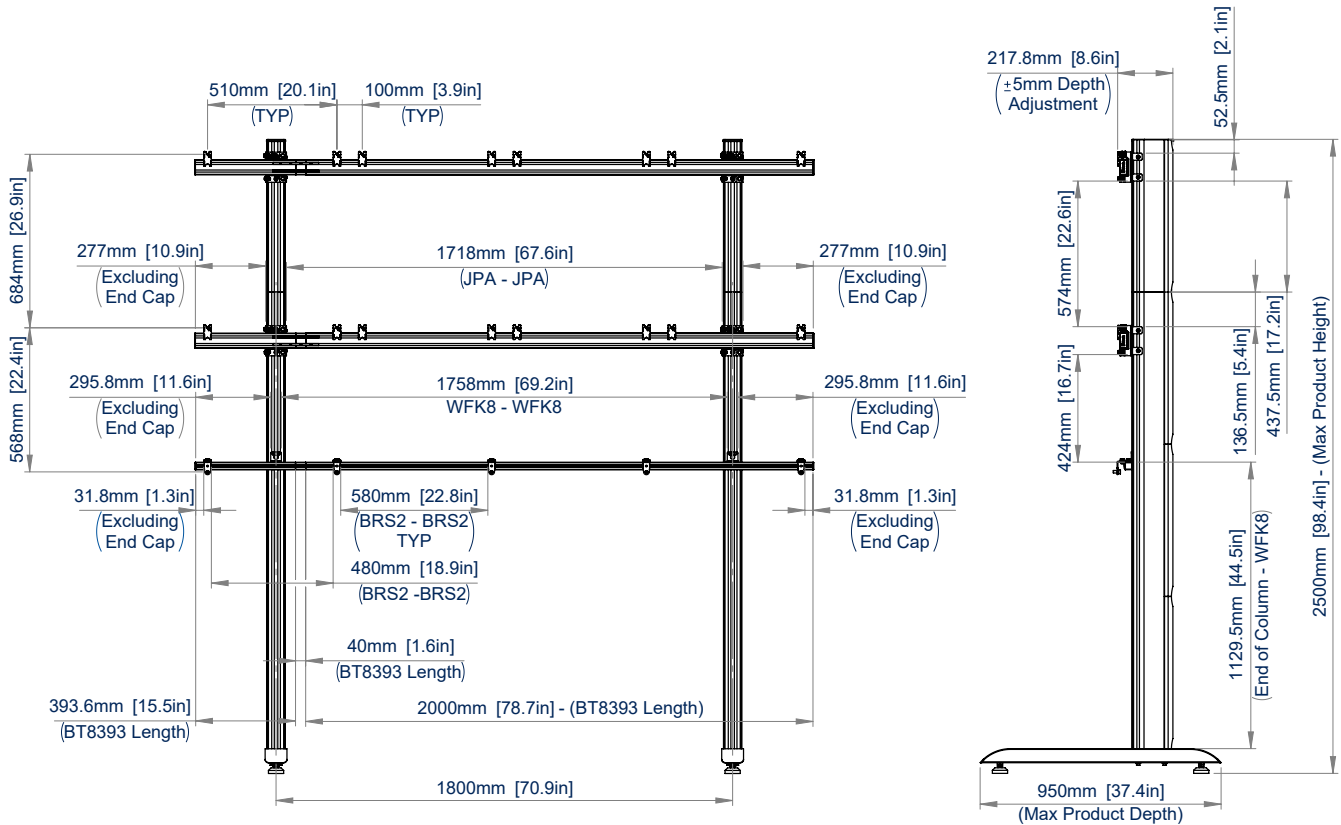


*Main product image indicative of a 4x4 configuration using 27" cabinets



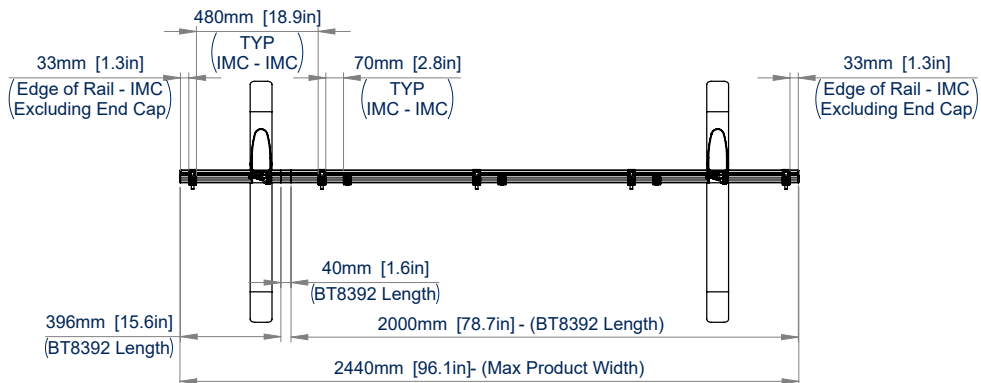
BTXPS27-S4X4

*Technical drawings shown are indicative of a 4x4 solution for 24" wide 27" cabinets.



FRONT VIEW

SIDE VIEW



TOP VIEW

ORDERING INFORMATION

COLOR	ORDER REF	BARCODE
Black	BTXPS27-S4X4/B	5019318309526

RELATED PRODUCTS

PRODUCT CODE	NAME	DESCRIPTION
BT9270	System Xpress Universal dvLED Videowall Stand	Designed to mount LED cabinets in any size and configuration
BTXPS27-S5X5	Universal 27" dvLED Stand	Designed to mount 27" LED cabinets in a 5x5 configuration
BTXPS27-S6X6	Universal 27" dvLED Stand	Designed to mount 27" LED cabinets in a 6x6 configuration
BTXPS27-S8X8	Universal 27" dvLED Stand	Designed to mount 27" LED cabinets in a 8x8 configuration

© 2025 B-Tech AV Mounts. All rights reserved. The information in this document is subject to change without notice. B-Tech AV Mounts is a registered trademark of B-Tech AV Mounts Corporation Ltd. B-Tech AV Mounts is not responsible for any damage caused by improper installation or use of the product. Any reproduction or use of the information in this document is strictly prohibited without the prior written permission of B-Tech AV Mounts Corporation Ltd. BTXPS27-S4X4-030625-NA