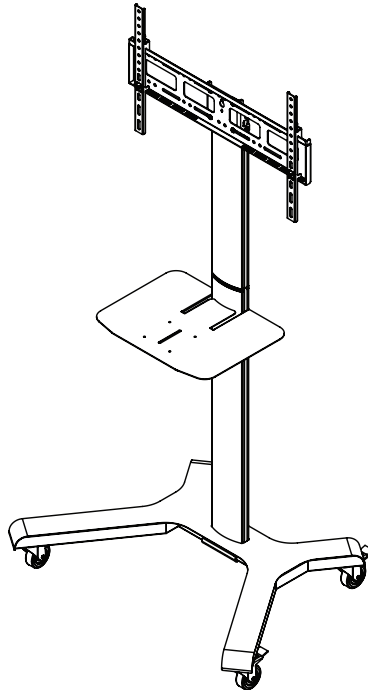


# Flat Screen Floor Stand / Trolley

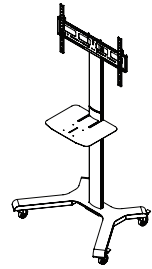
## Installation Guide



- Recommended for screens from 32" - 55"
- Max load: 40kg (88lbs)
- Suitable for displays with VESA<sup>®</sup> & non-VESA fixings up to 600 x 400mm
- Shelf max load: 5kg (12lbs)
- Supplied with braked castors and alternative levelling feet
- Trolley dimensions:  
H.1828mm W.958mm D.685mm (H.72" W.37.7" D.27")
- Simple installation with all mounting hardware included

Recommended Max Screen	Max Load Screen	Max Load Shelf	Max VESA	Post Install Alignment
55" 140cm	40kg [88lbs]	5kg [12lbs]	600 x 400	

Installation Safety Notes	2
Parts List	4
Installation Instructions	7
Product Dimensions	14
B-Tech Contact Details	16



## Installation Safety Instructions



**Caution:** This mount is intended for use only with the maximum weights indicated. Use with equipment heavier than the maximum indicated may result in instability causing possible injury.

Do not attempt to install this product until all instructions and warnings have been read and properly understood. *Please keep these instructions for future reference.*

Please check carefully to make sure there are no missing or defective parts - defective parts must never be used. B-Tech AV Mounts, its distributors and dealers are not liable or responsible for damage or injury caused by improper installation, improper use or failure to observe these safety instructions. In such cases, all guarantees will expire.

### General

B-Tech AV Mounts recommends that a professional AV installer or other suitably qualified person install this product. Great care must always be taken during installation as most AV equipment is of a fragile nature, possibly heavy and easily damaged if dropped. If you do not fully understand the instructions or are not sure how to install this product safely, then please consult a professional for advice and/or to install this product for you. Failure to mount this product correctly may cause serious injury or death both during installation and at any time thereafter. Do not mount any AV equipment that exceeds the specific weight limit of the product you are installing. This weight limit will be clearly stated on each product and its packaging and will vary from product to product.

### Trolley Operation

**Warning:** The trolley can tip over which may lead to serious injury. Only adults should push this trolley, do not allow children under 16 to move the trolley. Push the trolley on the narrow side, never pull the trolley. Do not push at the top of the trolley, push near the middle. Move the trolley slowly. Always park on level ground, never leave the trolley on an incline. Apply the brakes when the trolley is stationary, release the brakes when pushing the trolley

### Product location

Please pay careful attention to where this product is located, some locations are not suitable for installation. For indoor use only. Install stand on level ground. When verifying the stability of the structure, consider the following external factors: The strength of the floor, exposure to sudden and severe wind and danger arising from contact with people and / or objects (eg installations in passageways, emergency exits), if located in a public or frequently populated area ensure that the product is out of the immediate reach of people.

### Fixing hardware

It is highly recommended that all fixing screws be used where supplied and that the purpose of all other fixing hardware is fully understood. In some cases more AV equipment fixing hardware will be supplied to accommodate different models of equipment and set up configurations. The installer must be satisfied that any supplied fixing hardware is suitable for each specific installation. The fixing kit supplied with the product may not be suitable for all walls. If any fixing screws or included hardware are deemed not sufficient for a safe installation then please consult a professional or your local hardware store.

### Hazard limitation

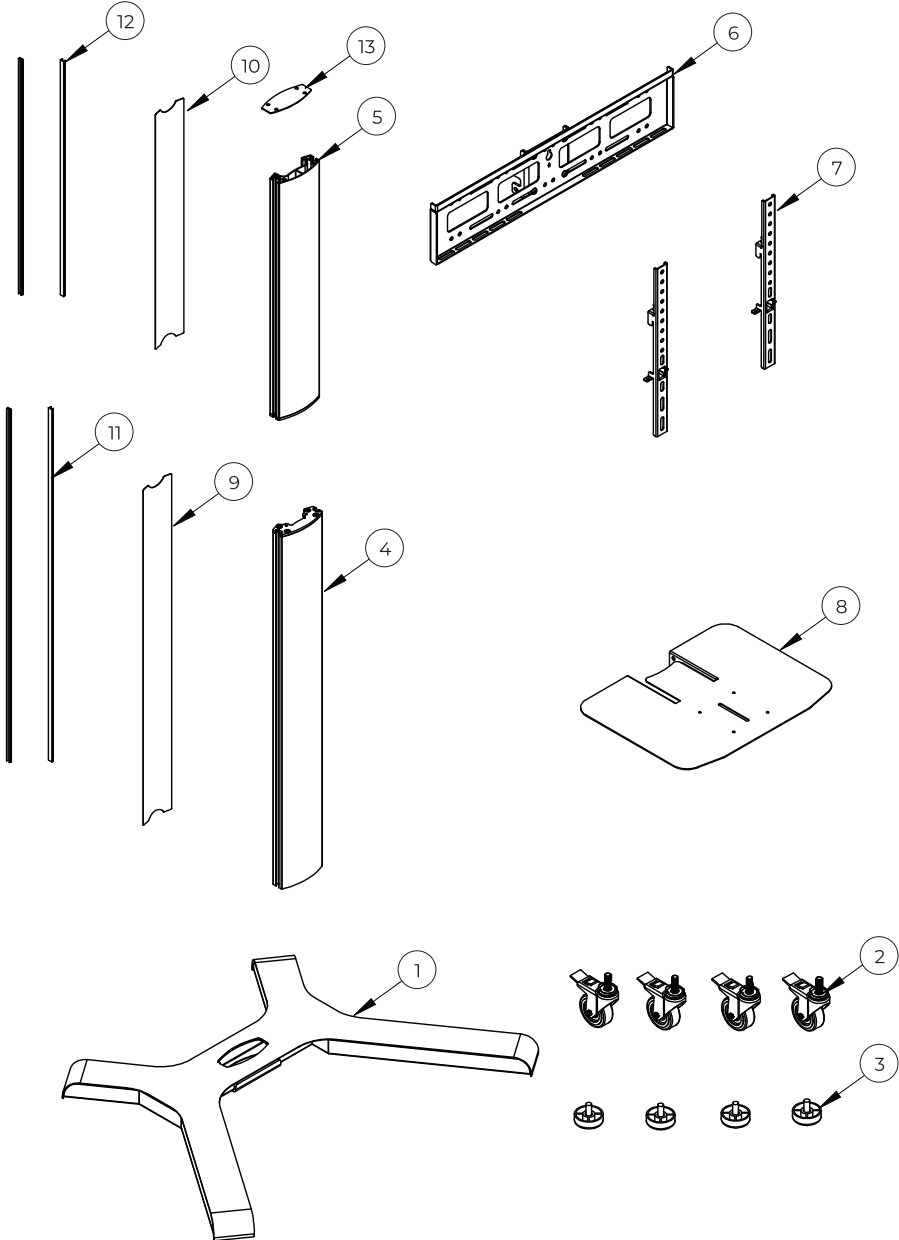
When routing cables take advantage of any built in cable management features that the product might provide and ensure that all cables are tidy and secure. Check to see that any moving aspect of the product can do so unhindered by any cabling. Some products have moving parts and the potential to cause injury through the crushing or trapping of fingers or other body parts. Particular attention to the nature of moving parts is required especially when assembling installing and adjusting during set up. Immediately after installation double-check that the work done is safe and secure. Double-check all necessary fixings are present and are of ample tightness. It is recommended that periodic inspections of the product and its fixing points are made as frequently as possible (no more than 6 months apart) to ensure that safety is maintained. If in doubt consult a professional AV installer or other suitably qualified person.

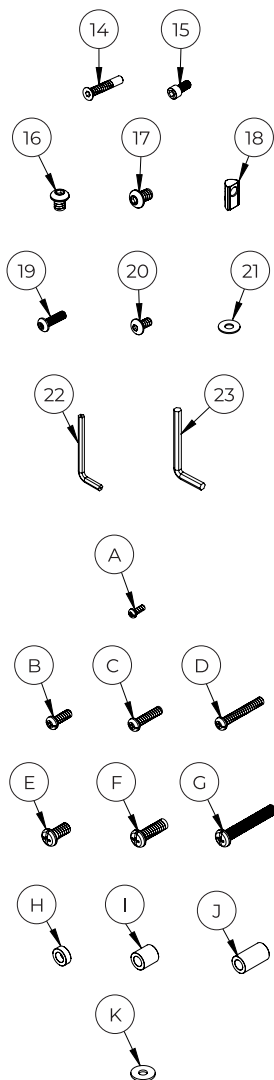
- CN B-Tech AV Mounts 建议本产品由专业AV安装人员或其他合格人员安装。B-Tech AV Mounts 及它的代理商、经销商不对由于不恰当的安装而造成的损失或伤害负责。本产品必须安装在合适的架构上，并仅用于不超过所标示的最大承重。
- CS Společnost B-Tech AV Mounts doporučuje provést instalaci tohoto produktu instalátora AV či jinak způsobilé osoby. Společnost B-Tech AV Mounts, její distributoři a prodejci nenesou prostřednictvím odborného odpov. osob. žádnou odpovědnost za škody nebo zranění způsobená nevhodnou instalací. Tento výrobek je nutno umístit do vhodné konstrukce a používat jen po uvedené maximální výšce.
- DE B-Tech AV Mounts empfiehlt, dass dieses Produkt durch einen qualifizierten AV-Techniker oder eine andere Person mit geeigneter Qualifikation installiert wird. B-Tech AV Mounts, ihre Distributoren und Händler können nicht für durch fehlerhafte Montage verursachte Beschädigung oder Verletzung haftbar bzw. verantwortlich gemacht werden. Dieses Produkt muss auf einem geeigneten Untergrund montiert werden und darf nur bis zum angegebenen Höchstgewicht verwendet werden.
- EN B-Tech AV Mounts recommends that this product be installed by a qualified AV technician or other suitably qualified person. B-Tech AV Mounts, its distributors and dealers are not liable or responsible for damage or injury caused by improper installation, improper use or failure to observe these safety instructions. In such cases, all guarantees will expire. This product must be mounted on a suitable surface and may only be used up to the specified maximum weight.
- ES B-Tech AV Mounts recomienda que un instalador de audio y video profesional u otra persona debidamente cualificada instalen este producto. B-Tech AV Mounts, sus distribuidores y concesionarios no se hacen cargo ni se responsabilizan de ningún daño o lesión provocados por una instalación inapropiada. Este producto se debe montar en una estructura adecuada y se debe utilizar soportando solamente hasta el peso máximo indicado.
- FR B-Tech AV Mounts recommande de confier l'installation de ce produit à un installateur AV professionnel ou à une autre personne dûment qualifiée. B-Tech AV Mounts, ses distributeurs et ses revendeurs ne sauraient être tenus responsables de tout dégât ou de toute blessure résultant d'une installation incorrecte. Ce produit doit être monté sur un support approprié et utilisé dans la limite du poids maximum indiqué.
- IT B-Tech AV Mounts consiglia di affidare l'installazione di questo prodotto a un installatore specializzato o ad altra persona adeguatamente qualificata. B-Tech AV Mounts, i suoi distributori e rivenditori non accettano alcuna responsabilità nei riguardi di eventuali danni o infortuni causati da un'errata installazione. Questo prodotto deve essere fissato a una struttura idonea e utilizzato unicamente sino al peso massimo indicato.
- JP B-Tech AV Mounts はAV設置の専門家または適合した知識を備えた人が製品を設置することを推奨します。B-Tech AV Mountsと販売店、取引先はこうした安全指針に従わない場合に随伴される製品の損傷や傷害に対する責任を負いません。場合によって製品が設置されるに適していないところもあるので設置位置に特別な注意を傾けてください。この製品の位置に注意を傾けて設置に適していない壁があるかを確認してください。指定した重さ制限を超過するAV装備を装着しないでください。
- KR B-Tech AV Mounts 는 AV 설치 전문가 또는 적합한 지식을 갖춘 사람이 제품을 설치하도록 권장합니다. B-Tech AV Mounts 와 판매점, 거래처는 이러한 안전 지침을 따르지 않을 경우 수반될 제품의 손상이나 상해에 대한 책임을 지지 않습니다. 경우에 따라 제품이 설치되기에 적합하지 않은 곳들도 있으므로 설치 위치에 특별한 주의를 기울여 주시기 바랍니다. 제품의 설치 위치에 주의를 기울여 확인하십시오. 지정된 무게 제한을 초과하는 AV 장비를 장착하지 마십시오.
- NL B-Tech AV Mounts adviseert om dit product te laten installeren door een professionele AV-instalateur of andere hiervoor gekwalificeerde persoon. B-Tech AV Mounts, haar distributeurs en dealers zijn niet aansprakelijk of verantwoordelijk voor schade of letsel die is veroorzaakt door onoordeelkundige installatie. Dit product moet worden gemonteerd aan een geschikte constructie, waarbij het aangegeven maximum gewicht niet mag worden overschreden.
- PL Firma B-Tech AV Mounts zaleca, aby ten produkt był instalowany przez profesjonalnych instalatorów AV lub inny odpowiednio przeszkolony personel. Firma B-Tech AV Mounts, jej dystrybutorzy i dealerzy nie ponoszą odpowiedzialności za uszkodzenia lub obrażenia ciała powstałe w wyniku nieprawidłowej instalacji. Niniejszy produkt musi być amontowany na odpowiedniej powierzchni, a podczas użytkowania nie wolno przekraczać podanego maksymalnego obciążenia.
- PT A B-Tech AV Mounts recomenda que a instalação deste produto seja efectuada por um instalador de AV instalador de AV profissional ou outra pessoa devidamente habilitada. A B-Tech AV Mounts e os seus distribuidores e concessionários não são responsáveis por danos ou lesões causados por uma instalação incorrecta. Este produto tem de ser montado numa estrutura adequada e utilizado somente até ao peso máximo indicado.
- RU Компания B-Tech AV Mounts рекомендует, чтобы установка данного изделия производилась инженером по установке аудио-видеотехники или другим специалистом с соответствующей квалификацией. Компания B-Tech AV Mounts ее дистрибьюторы и дилеры не несут ответственности за повреждения или травмы, полученные в результате неправильной установки.

توصي بي-تيك للتجارة الدولية المحدودة بأن شخص محترف في تركيب ال AV أو شخص مؤهل تأهيلا مناسباً لتركيب هذا المنتج. بي-تيك للتجارة الدولية، موزعها والتجار ليست عرضة أو مسؤولة عن الأضرار أو الإصابات الناجمة عن تركيب غير سليم، والاستخدام غير السليم أو عدم مراعاة هذه التعليمات للسلامة. يجب أن يتم تركيب هذا المنتج في بنية مناسبة ويجب استخدامه فقط لدعم الحد الأقصى للوزن المشار إليه.

# XRTROLLEY Parts List

Please keep this for future reference





**Installation Tools Required**

Screwdriver      Knife/Pliers

Suitable for loads up to 40kg (88lbs)

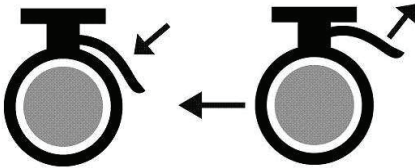
Item	Description	Qty
1	Base	1
2	Castor	4
3	Foot	4
4	Column - 900mm	1
5	Column - 600mm	1
6	Interface Plate	1
7	Interface Arm	2
8	Shelf	1
9	Small Rear Cover	1
10	Large Rear Cover	1
11	Large Channel Strip	2
12	Small Channel Strip	2
13	Column Cap	1
14	M6 x 35mm CSK Screw	4
15	M6 x 12mm Cap Head Screw	2
16	M8 x 10mm Screw	4
17	M8 x 12mm Screw	4
18	Sliding Insert Nut	8
19	Security Screw	2
20	M6 x 12mm Screw	4
21	Washer	2
22	4AF Pin Hex Key	1
23	5AF Hex Key	1
<b>Screen Fixings</b>		
A	M4 x 10mm Screw	4
B	M6 x 16mm Screw	4
C	M6 x 25mm Screw	4
D	M6 x 40mm Screw	4
E	M8 x 16mm Screw	4
F	M8 x 25mm Screw	4
G	M8 x 50mm Screw	4
H	M8 x 5mm Spacer	4
I	M8 x 15mm SpacTer	4
J	M8 x 25mm Spacer	4
K	M6 Washer	4



## Warning

- Can tip over which may lead to serious injury
- Do not allow children under 16 to move the trolley
- Move the trolley slowly

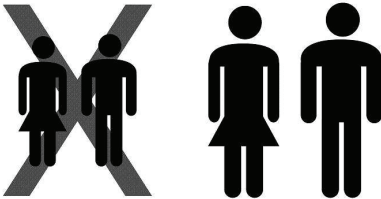
Apply the brakes when trolley is stationary.  
Release brakes when pushing trolley.



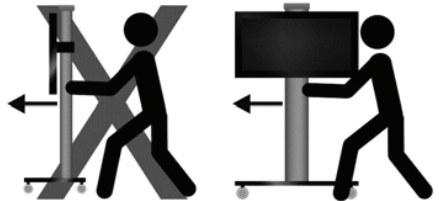
Never leave the trolley on an incline.  
Always park on level ground.



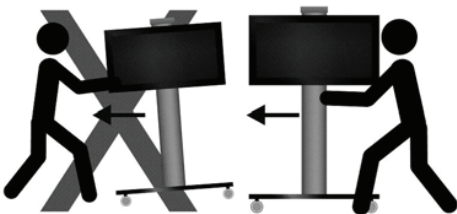
Only adults should push this trolley.



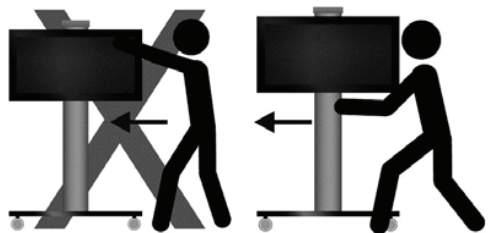
Push trolley on narrow side.



Never pull trolley.  
Always push.



Do not push at top of trolley.  
Always push near middle.



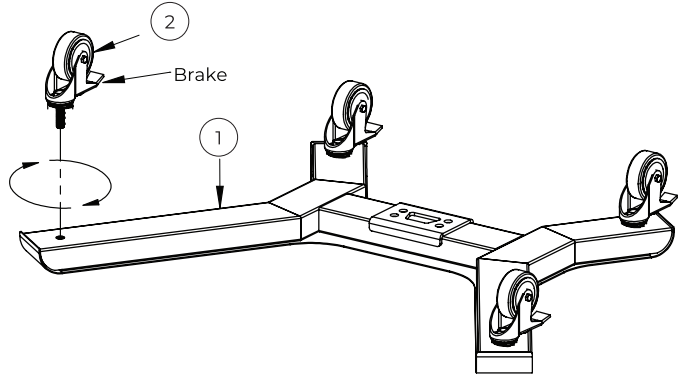
# Installation Instructions

## 1. Fix Castors Or Feet To Base

### A. Mobile Trolley

Screw item 2 into item 1

Castors



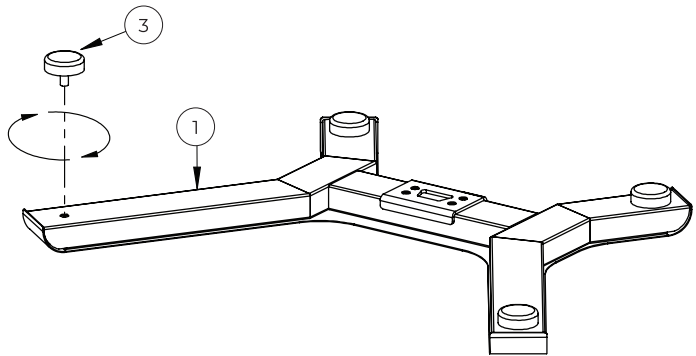
Lock Wheels  
Prior To  
Installation



### B. Fixed Stand

Screw item 3 into item 1.

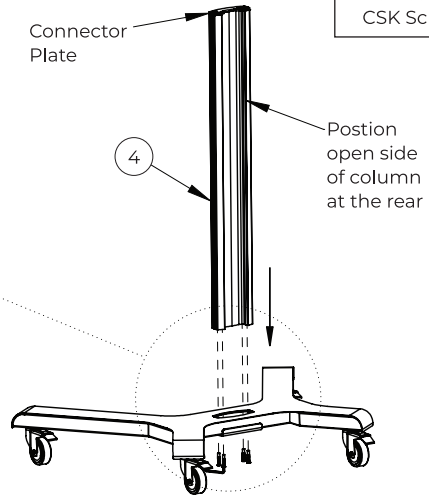
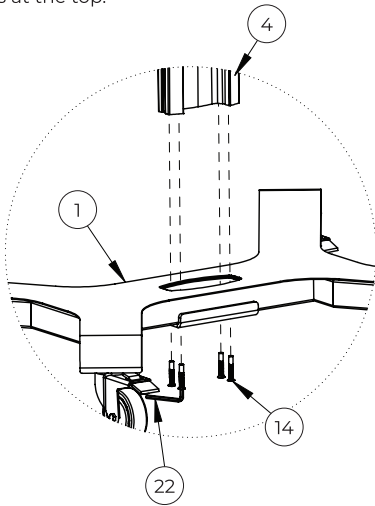
Feet



## 2. Attach Lower Column To Base

Insert *item 4* into *item 1* and fix in place using 4x *item 14*.

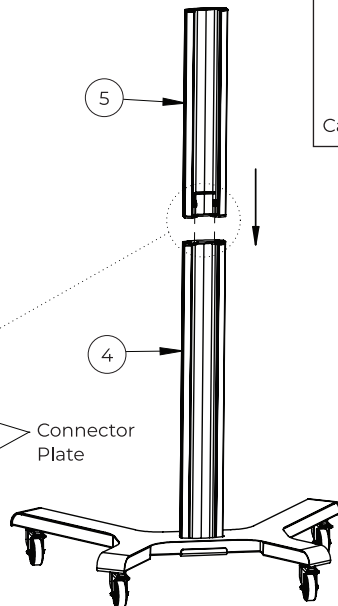
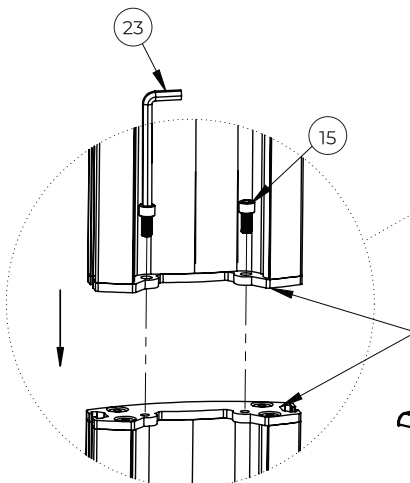
**Note:** Ensure the connector plate on *item 4* is at the top.



M6 x 35mm  
CSK Screw

## 3. Fix Top Column

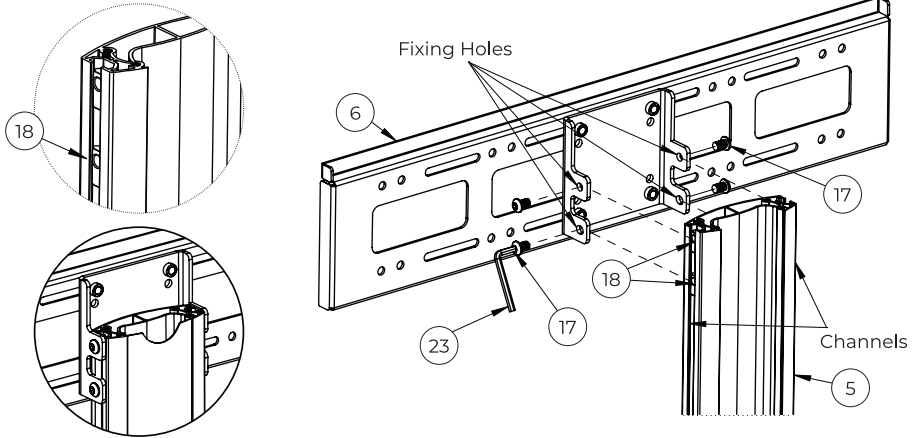
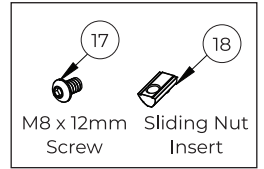
Fit *item 5* on top of *item 4* and fix in place using 2x *item 15* through the connector plates.



M6 x 12mm  
Cap Head Screw

## 4. Mount Interface Plate Onto Column

- Insert 4 x *item 18* into the side channels of *item 5* (2 each side).
- Slide *item 6* onto *item 5* and align fixing holes with *item 18*.
- Fix *item 6* in place at the desired height using 4 x *item 17*.

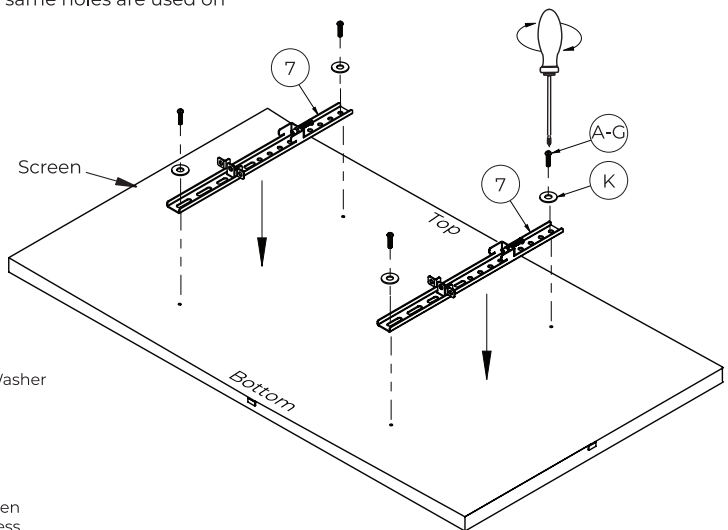
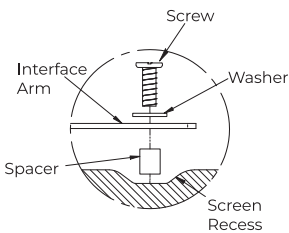


## 5. Attach Interface Arms To Screen

Fix *item 7* to the rear of the screen using *items A - K*.

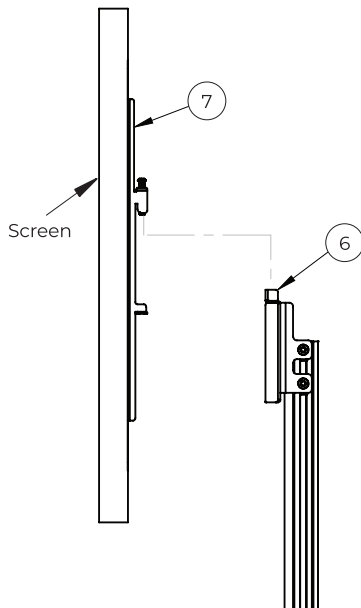
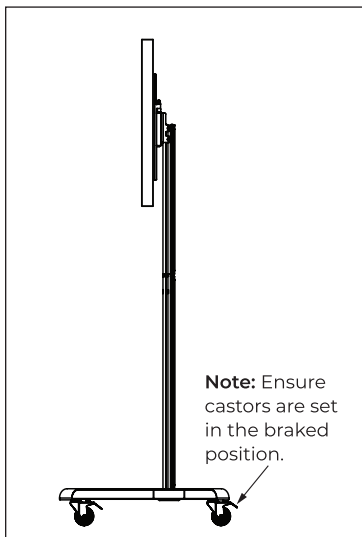
**Note:** Ensure the arms are facing the correct way round and the same holes are used on both arms.

Spacers (*items H, I, J*) are to be used for screens with recessed fixings.



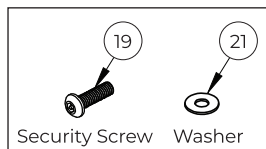
## 6. Mount Screen Onto Trolley

Using *item 7* hook screen onto *item 6*.



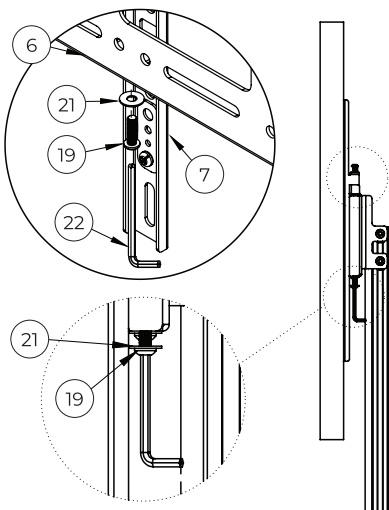
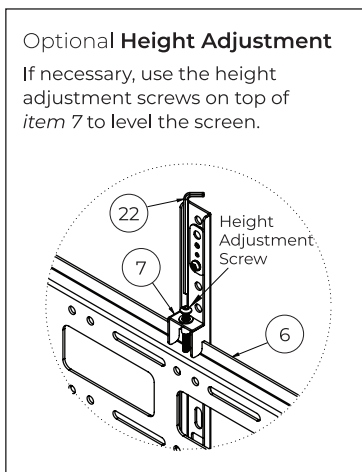
## 7. Add Security Screws

To secure screen to mount insert *items 19 & 21* to the bottom of *item 6* underneath the interface arms, securing *item 7* to *item 6*.



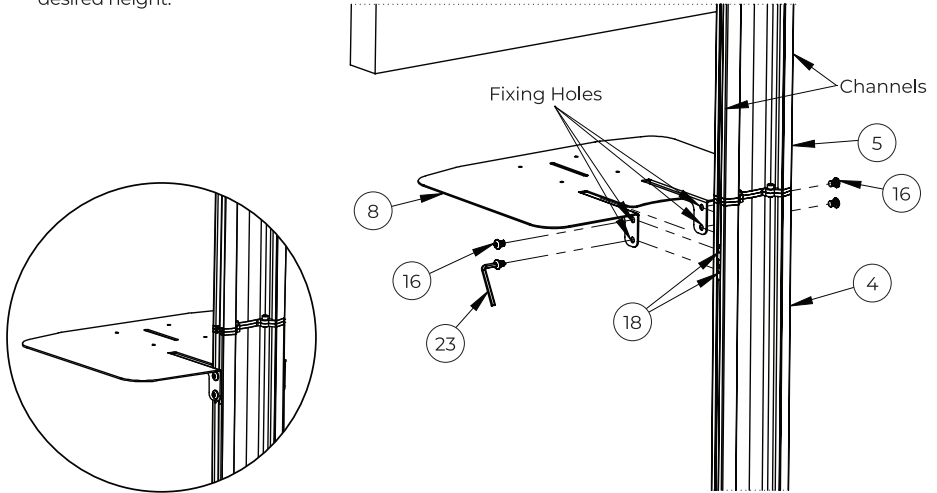
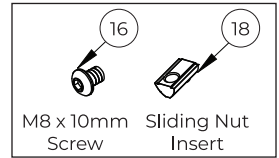
### Optional Height Adjustment

If necessary, use the height adjustment screws on top of *item 7* to level the screen.

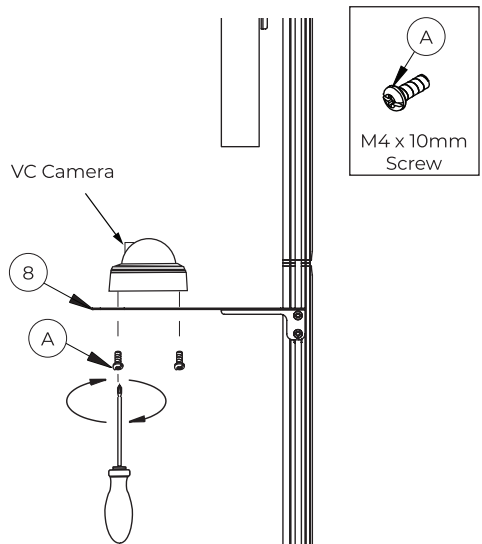


## 8. Attach Accessory Shelf To Column

- i. Insert 4x *item 18* into the side channels of either *item 4* or *item 5* (2 each side).
- ii. Fit *item 8* onto *item 4* or *item 5* and align fixing holes
- iii. Secure in place using 4x *item 16* at the desired height.



**Note:** *Item A* can be used to fix a VC camera to the accessory shelf (*item 8*).



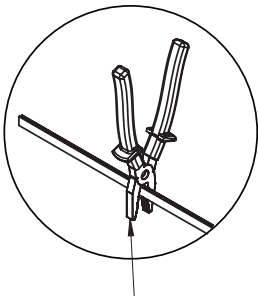
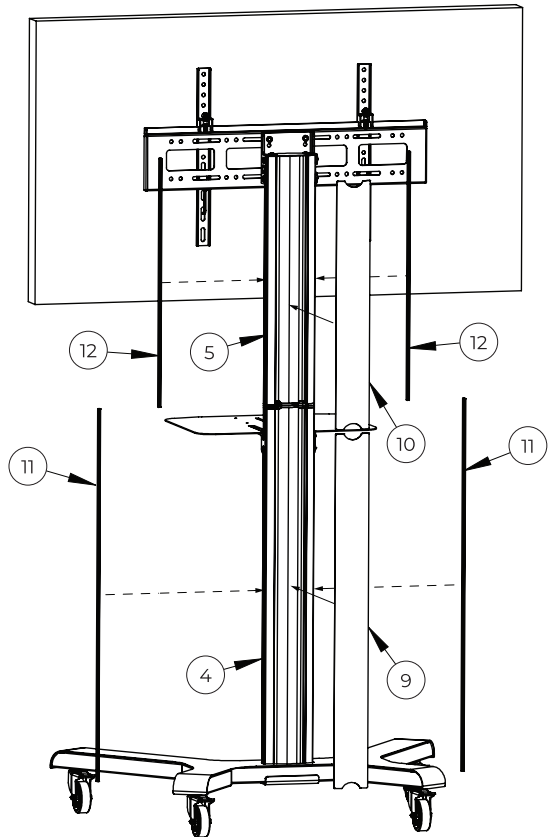
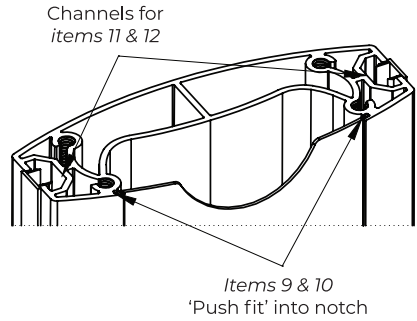
Shelf max load: 5kg (12lbs)

## 9. Insert Plastic Covers

- i. Insert *item 11* into the side channels of *item 4*.  
and *item 12* into the side channels of *item 5*.

**Note:** *Items 11 & 12* may need to be cut down to size.

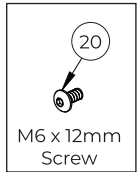
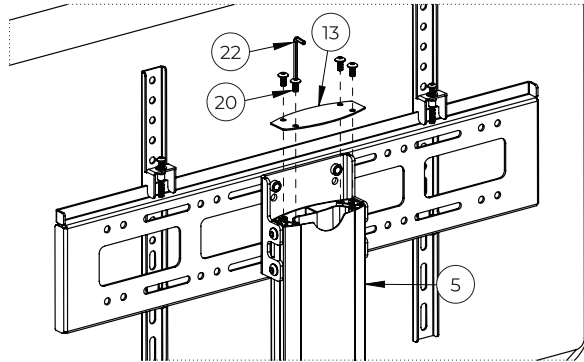
- ii. Insert *item 9* into the rear of *item 4*.  
and *item 10* into the rear of *item 5*.



Use a knife or pliers to cut  
*items 11 & 12* to correct size.

## 10. Fix Column Cap

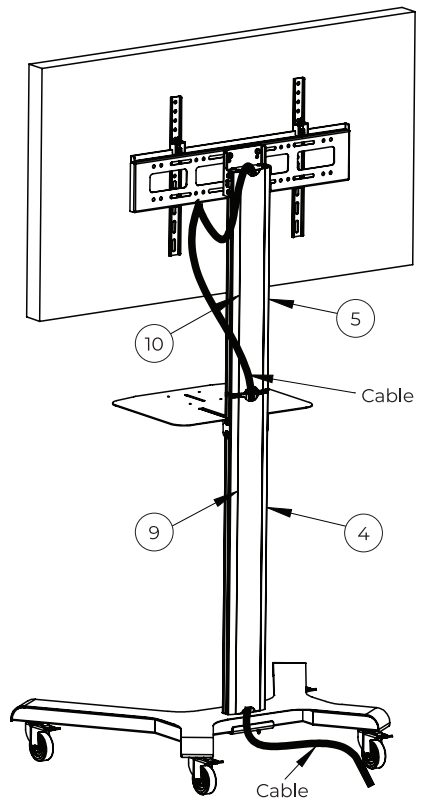
Fix item 13 to item 5 using item 20.



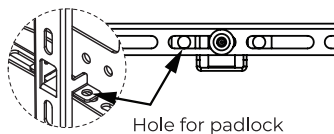
## 11. Cable Management

Route cables through the rear of item 4 & 5.

**Note:** Items 9 & 10 may have to be removed before routing cables.



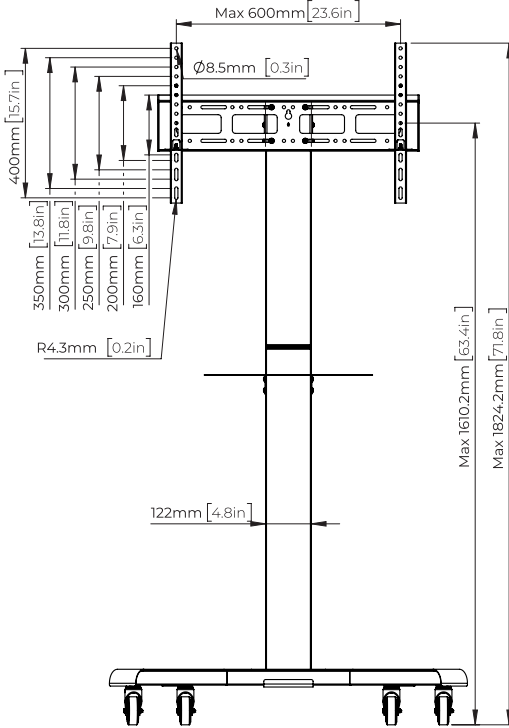
Optional  
Secure screen to mount with  
a padlock (*not supplied*).



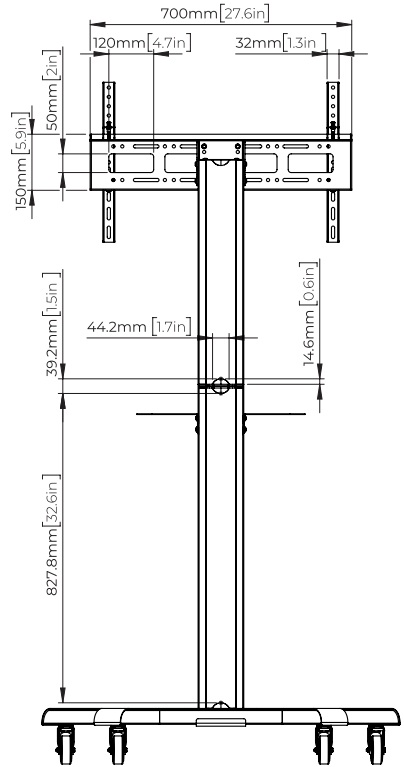
# XRTROLLEY Dimensions

Please keep this for future reference

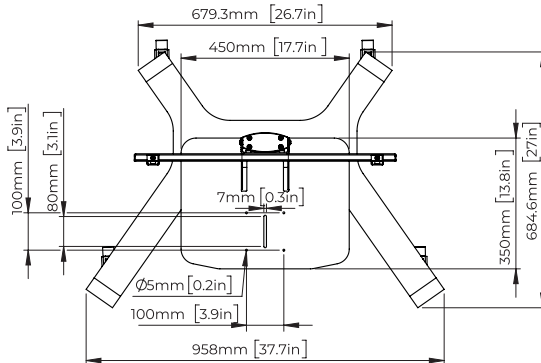
Front View



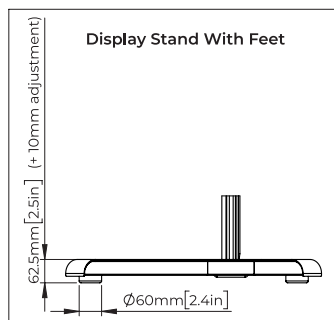
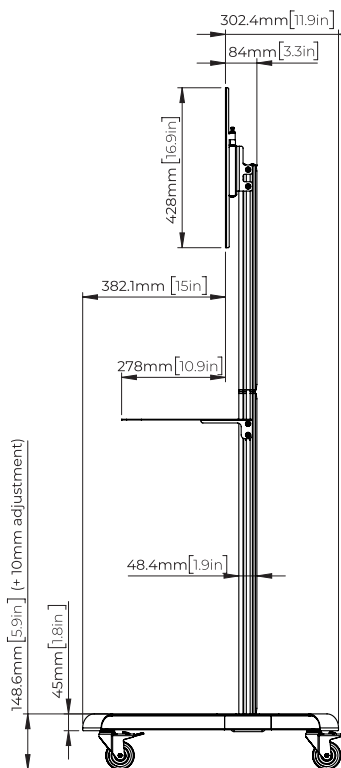
Back View



Top View



### Side View



These instructions are intended as a guide only and B-Tech accepts no liability for the accuracy of the information contained in this document.

**Contact:** [info@btechavmounts.com](mailto:info@btechavmounts.com)

©2024 B-Tech AV Mounts Corporation Ltd. All rights reserved.

B-Tech AV Mounts is a division of B-Tech AV Mounts Corporation Ltd.

B-Tech AV Mounts and the B-Tech logo are registered trademarks.

All B-Tech images and symbols are exclusive property of B-Tech AV Mounts Corporation Ltd.

All other brands and product names are trademarks of their respective owners.

Any reproduction, retransmission or republication of any part of this manual is strictly prohibited,

unless prior written permission has been granted by B-Tech AV Mounts Corporation Ltd.

Photographs are for illustrative purposes only. E&OE

AMA-XRTROLLEY-V2-0324-44 Made in the P.R.C.

